

NOTE: OVERALL DIMENSION VARIATION +/- 1/4"

Copyright © 2003, All Rights Reserved



Wilsonart® Solid Surface

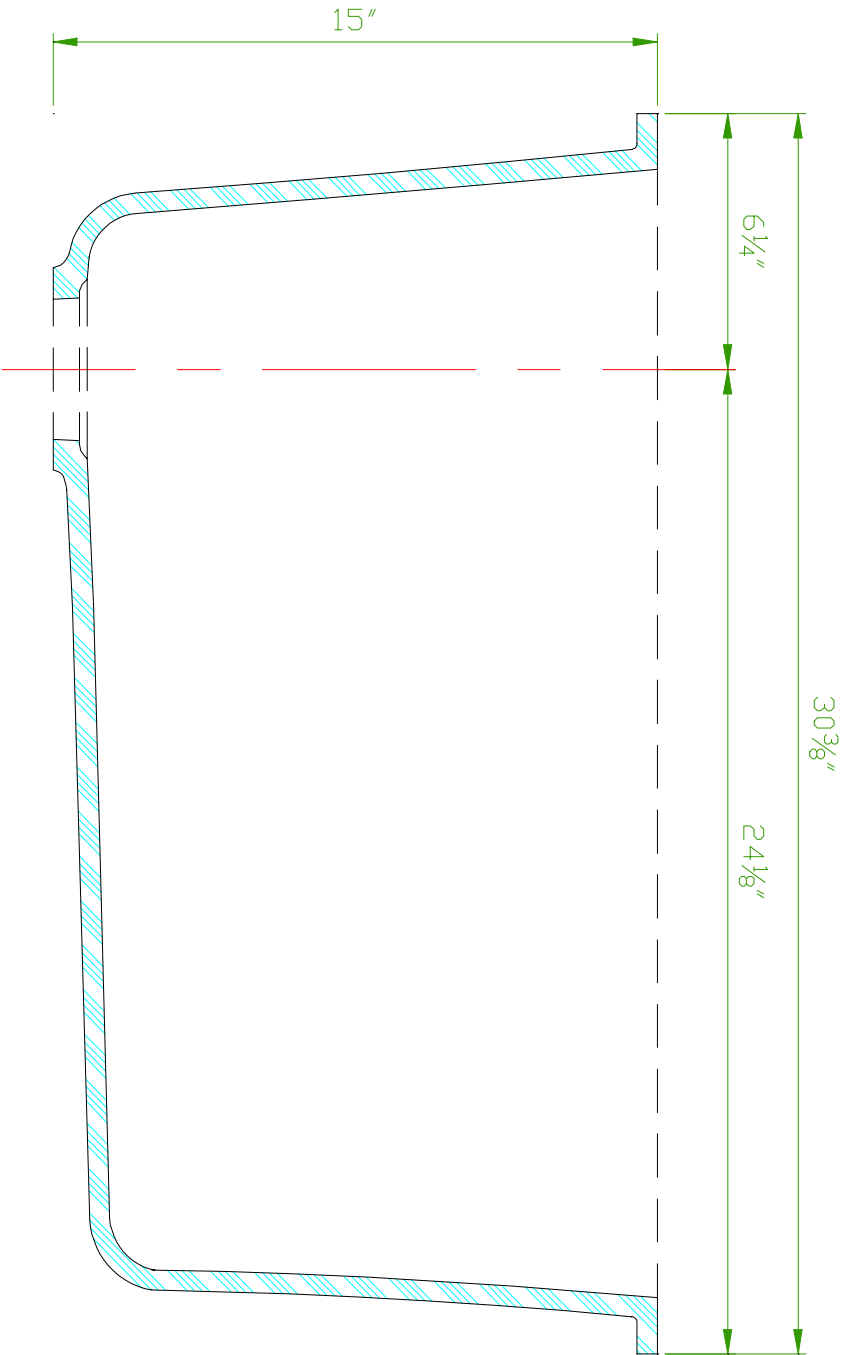
Wilsonart International Inc.
 2400 Wilson Place
 P. O. Box 6110
 Temple, TX 76503-6110

Sinks

APPD FILE:	BK320.dwg
DEPT:	Solid Surface
DR:	RWM
CKD:	
APPR:	

SHEET TITLE:	BK320 UTILITY SINK PLAN VIEW
--------------	---------------------------------

SCALE:	NTS
DATE:	05/01/03
DRAWING NO.:	BK320-2



NOTE: OVERALL DIMENSION VARIATION +/- 1/4"

Copyright © 2003, All Rights Reserved

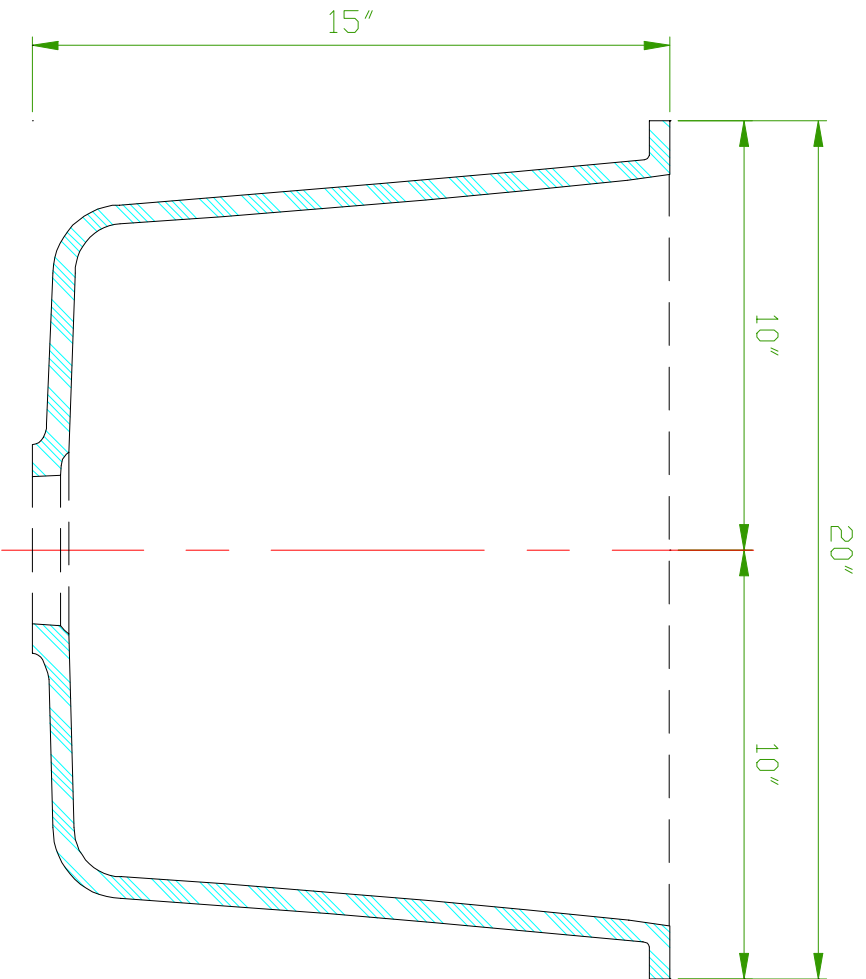


Wilsonart® Solid Surface

Wilsonart International Inc.
 2400 Wilson Place
 P. O. Box 6110
 Temple, TX 76503-6110

Sinks

ADD FILE: BK320.dwg	SHEET TITLE:	SCALE:
DEPT: Solid Surface	BK320 UTILITY SINK	NTS
DR: RWM	ELEVATION	DATE:
OKD:		05/01/03
APPR:		DRAWING NO:
		BK320-3



NOTE: OVERALL DIMENSION VARIATION +/- 1/4"

Copyright © 2003, All Rights Reserved



Wilsonart® Solid Surface

Wilsonart International Inc.
 2400 Wilson Place
 P. O. Box 6110
 Temple, TX 76503-6110

Sinks

AKA0 FILE: BK320.dwg	SHEET TITLE:	SCALE:
DEPT: Solid Surface	BK320 UTILITY SINK	NTS
DR: RWM	SECTION	DATE:
CKD:		05/01/03
APPR:		DRAWING NO:
		BK320-4