


NOTE: OVERALL DIMENSION VARIATION +/- $\frac{1}{4}"$

Copyright © 2003, All Rights Reserved

 **Wilsonart® Solid Surface**

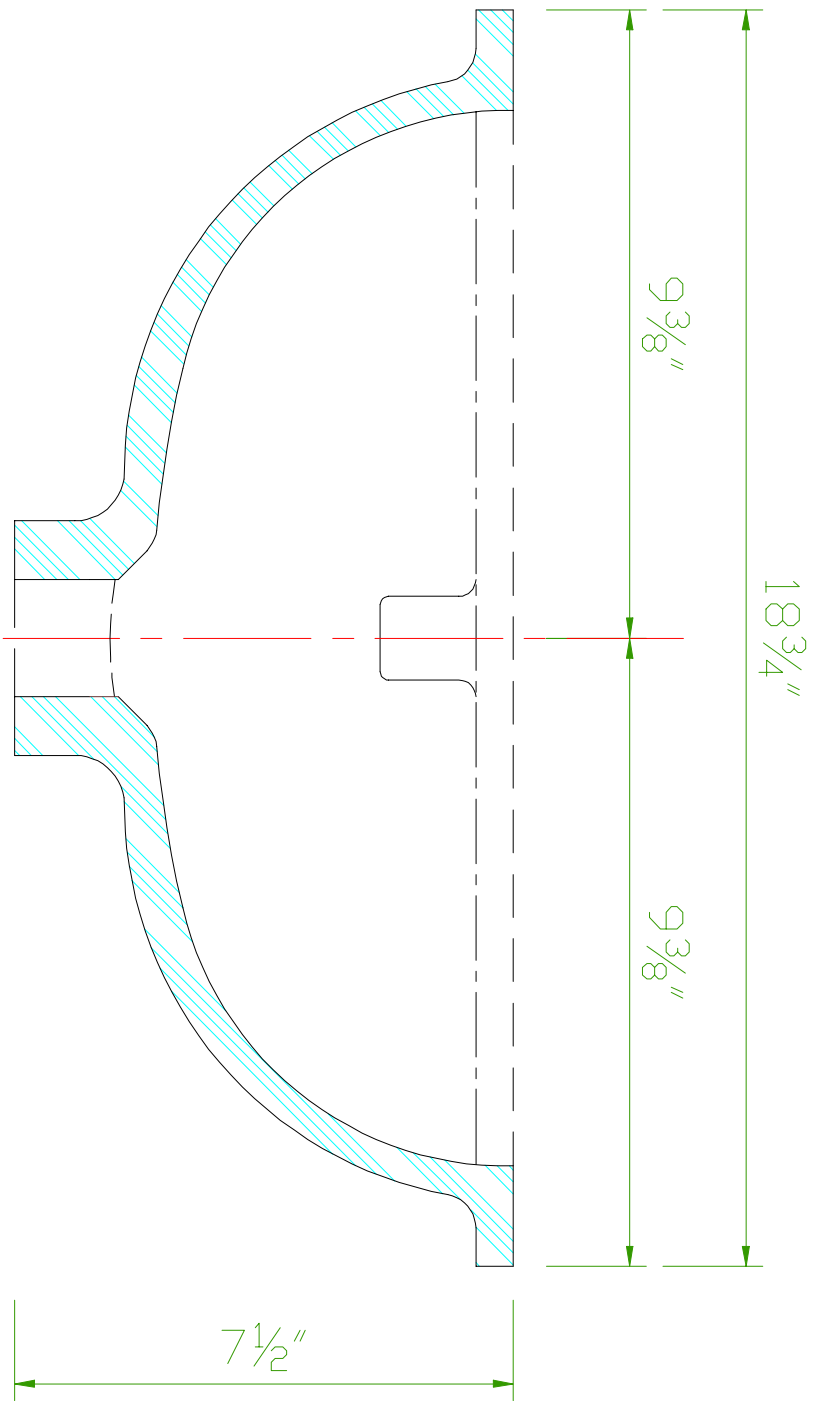
Wilsonart International Inc.
 2400 Wilson Place
 P. O. Box 6110
 Temple, TX 76503-6110

Sinks

A&O TITLE:	BV121.dwg
DEPT:	Solid Surface
DR:	RWM
CKD:	
APPR:	

SHEET TITLE:	BV121 LAVATORY BOWL PLAN VIEW
--------------	----------------------------------

SCALE:	NTS
DATE:	05/01/03
DRAWING NO:	BV121-2



NOTE: OVERALL DIMENSION VARIATION +/- 1/4"

Copyright © 2003, All Rights Reserved



Wilsonart® Solid Surface

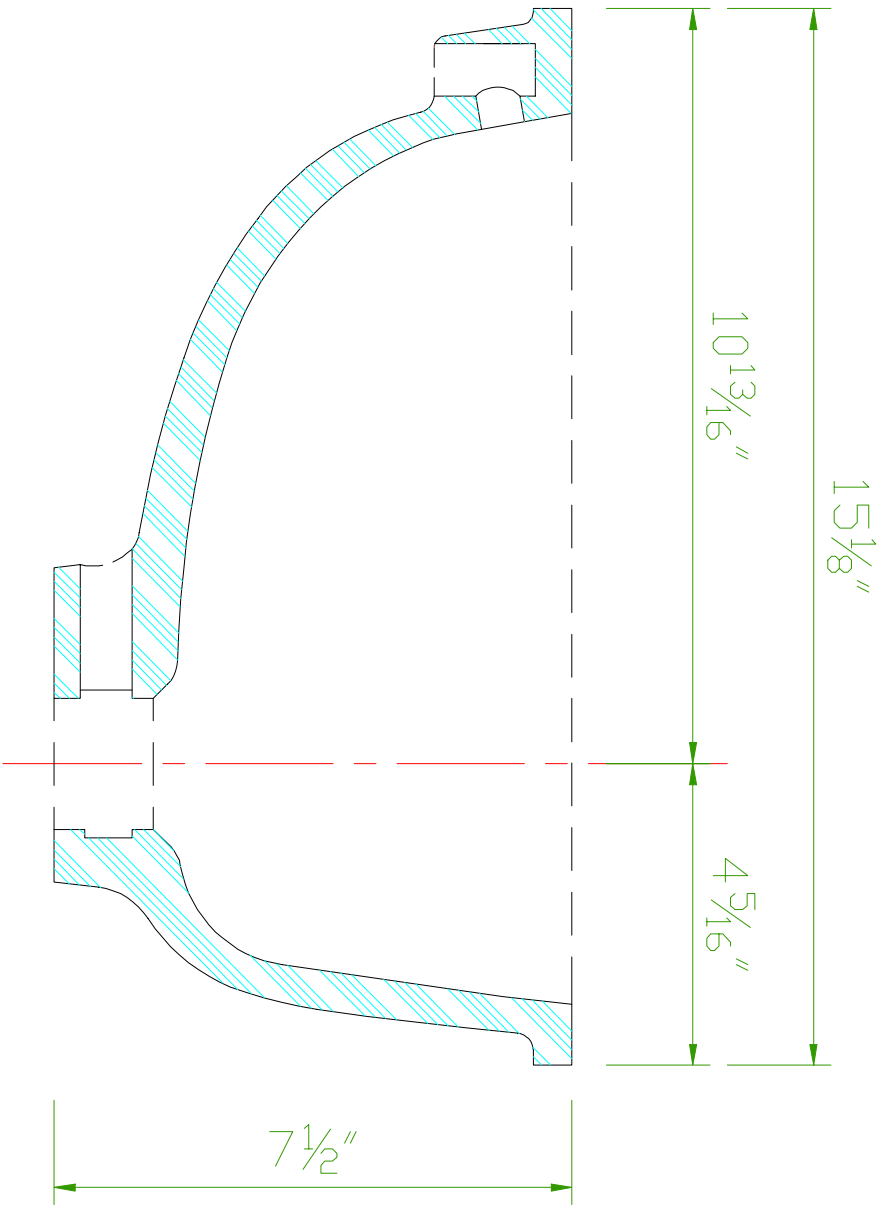
Wilsonart International Inc.
 2400 Wilson Place
 P. O. Box 6110
 Temple, TX 76503-6110

Sinks

APP: _____	APP: _____
CKD: _____	CKD: _____
DR: RWM	DR: RWM
DEPT: Solid Surface	DEPT: Solid Surface
AKA0 FILE: BV121.dwg	AKA0 FILE: BV121.dwg

SHEET TITLE:	BV121 LAVATORY BOWL
ELEVATION	ELEVATION

SCALE: NTS	DATE: 05/01/03
DRAWING NO: BV121-3	



NOTE: OVERALL DIMENSION VARIATION +/- $\frac{1}{4}"$

Copyright © 2003, All Rights Reserved

 **Wilsonart® Solid Surface**
 Wilsonart International Inc.
 2400 Wilson Place
 P. O. Box 6110
 Temple, TX 76503-6110

Sinks

APP FILE:	BV121.dwg
DEPT:	Solid Surface
DR:	RWM
CKD:	
APPR:	

SHEET TITLE:	BV121 LAVATORY BOWL SECTION
--------------	-----------------------------

SCALE:	NTS
DATE:	05/01/03
DRAWING NO:	BV121-4