

NOTE: OVERALL DIMENSION VARIATION +/- 1/4"

Copyright © 2003, All Rights Reserved



Wilsonart® Solid Surface

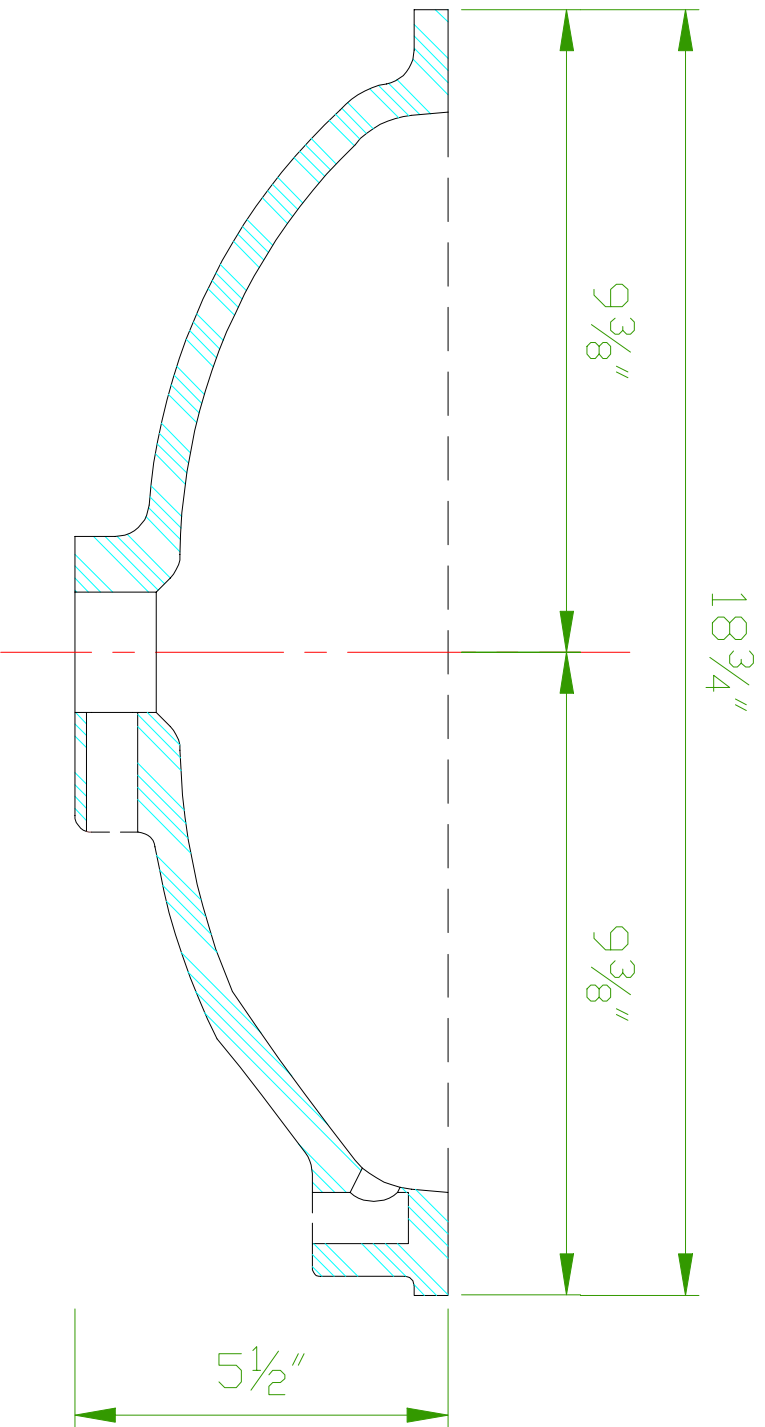
Wilsonart International Inc.
 2400 Wilson Place
 P. O. Box 6110
 Temple, TX 76503-6110

Sinks

AKO FILE: BV122.dwg
DEPT: Solid Surface
DR: RWM
OKD:
APPR:

SHEET TITLE:
BV122 ADA LAVATORY BOWL
PLAN VIEW

SCALE:
NTS
DATE:
05/01/03
DRAWING NO:
BV122-2



NOTE: OVERALL DIMENSION VARIATION +/- 1/4"

Copyright © 2003, All Rights Reserved



Wilsonart® Solid Surface

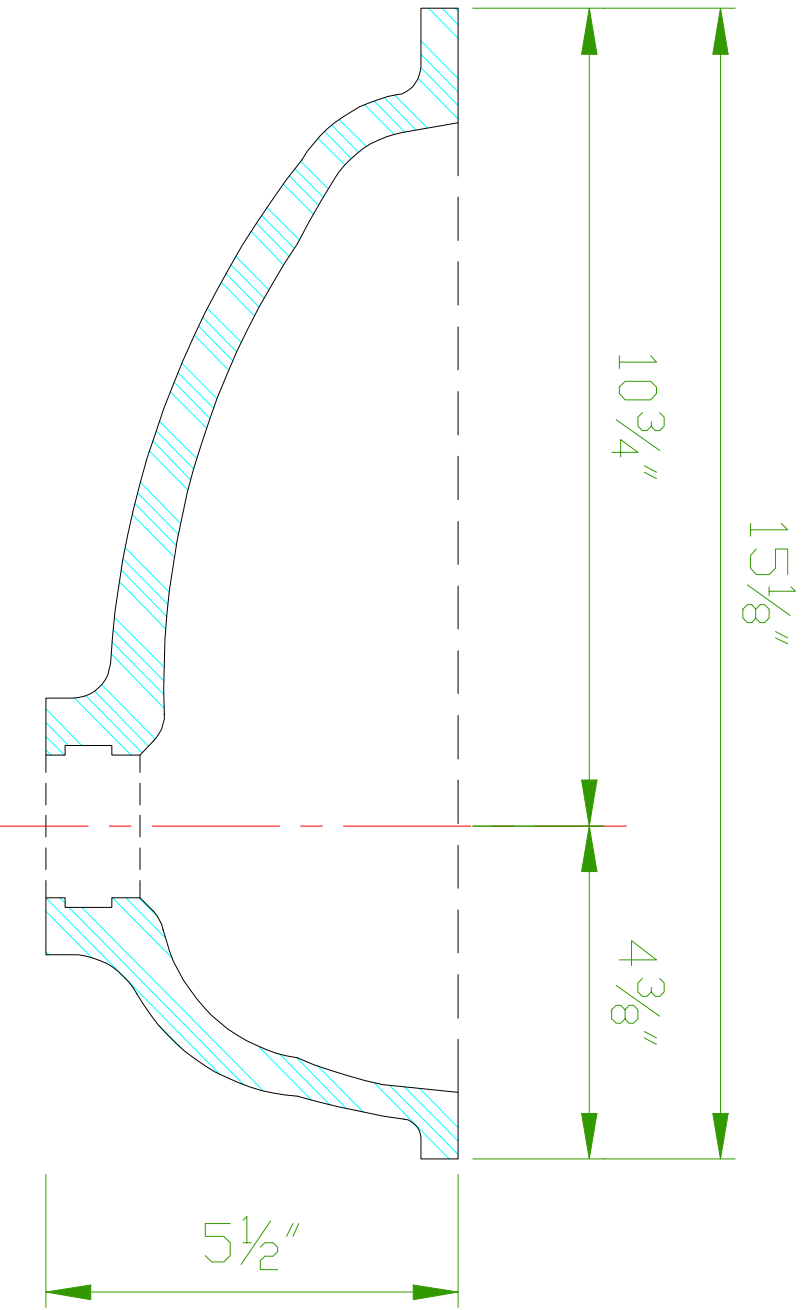
Wilsonart International Inc.
 2400 Wilson Place
 P. O. Box 6110
 Temple, TX 76503-6110

Sinks

AKO FILE: BV122.dwg
DEPT: Solid Surface
DR: RWM
CKD:
APPR:

SHEET TITLE:	BV122 ADA LAVATORY BOWL
ELEVATION	

SCALE:	NTS
DATE:	05/01/03
DRAWING NO:	BV122-3



NOTE: OVERALL DIMENSION VARIATION +/- $\frac{1}{4}"$

Copyright © 2003, All Rights Reserved

 **Wilsonart® Solid Surface**
 Wilsonart International Inc.
 2400 Wilson Place
 P. O. Box 6110
 Temple, TX 76503-6110

Sinks

ADD TITLE: BV122.dwg
DEPT: Solid Surface
DR: RWM
CKD:
APPR:

SHEET TITLE: BV122 ADA LAVATORY BOWL SECTION
--

SCALE: NTS
DATE: 05/01/03
DRAWING NO: BV122-4