

NOTE: OVERALL DIMENSION VARIATION +/- 1/4"

Copyright © 2003, All Rights Reserved



**Wilsonart® Solid Surface**

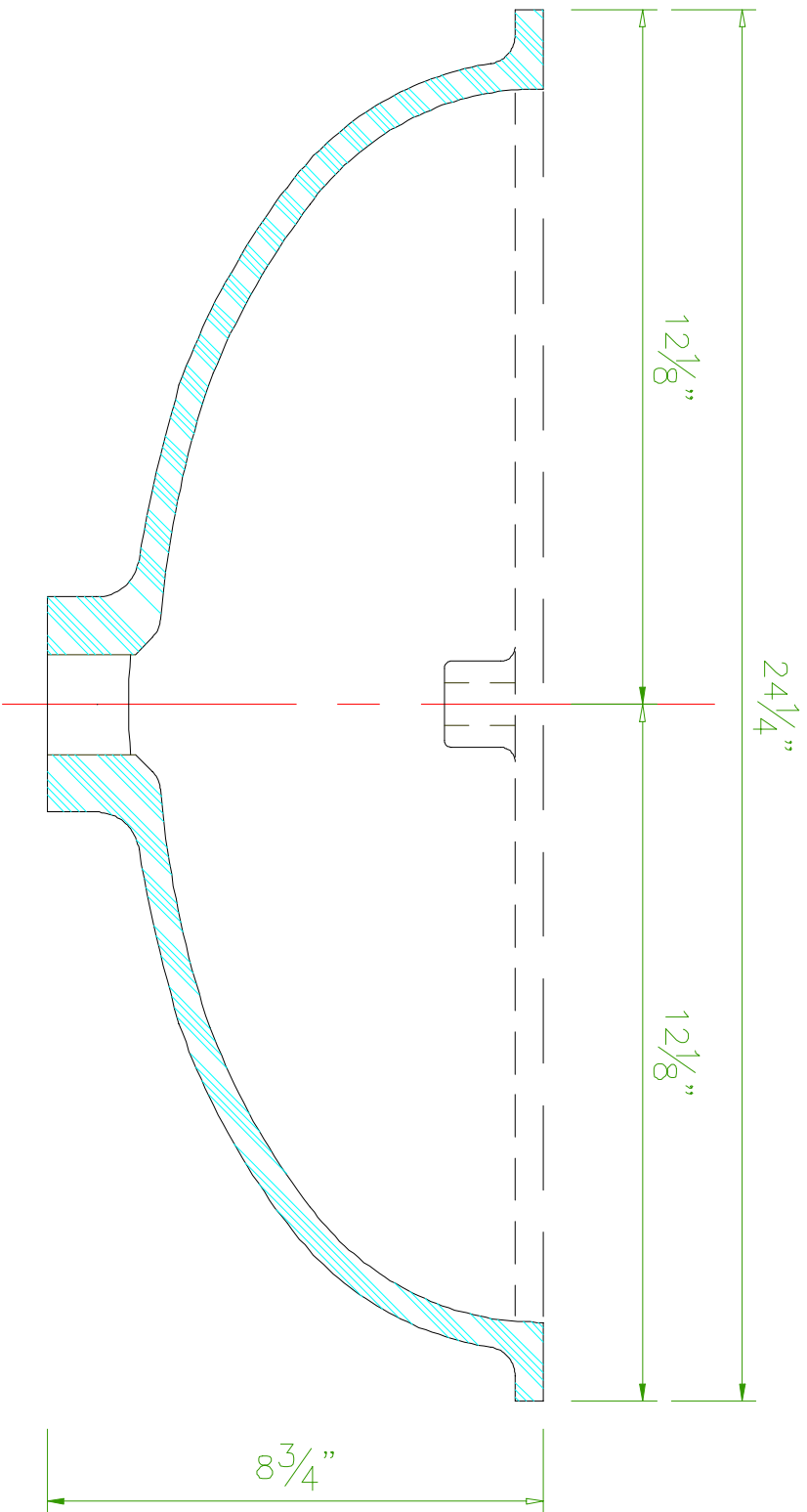
Wilsonart International Inc.  
 2400 Wilson Place  
 P. O. Box 6110  
 Temple, TX 76503-6110

**Sinks**

ADD FILE:	BV125.dwg
DEPT:	Solid Surface
DR:	RWM
CKD:	
APPR:	

SHEET TITLE:	BV125 LAVATORY BOWL PLAN VIEW
--------------	----------------------------------

SCALE:	NTS
DATE:	05/01/03
DRAWING NO:	BV125-2



NOTE: OVERALL DIMENSION VARIATION +/-  $\frac{1}{4}$ "

Copyright © 2003, All Rights Reserved



**Wilsonart® Solid Surface**

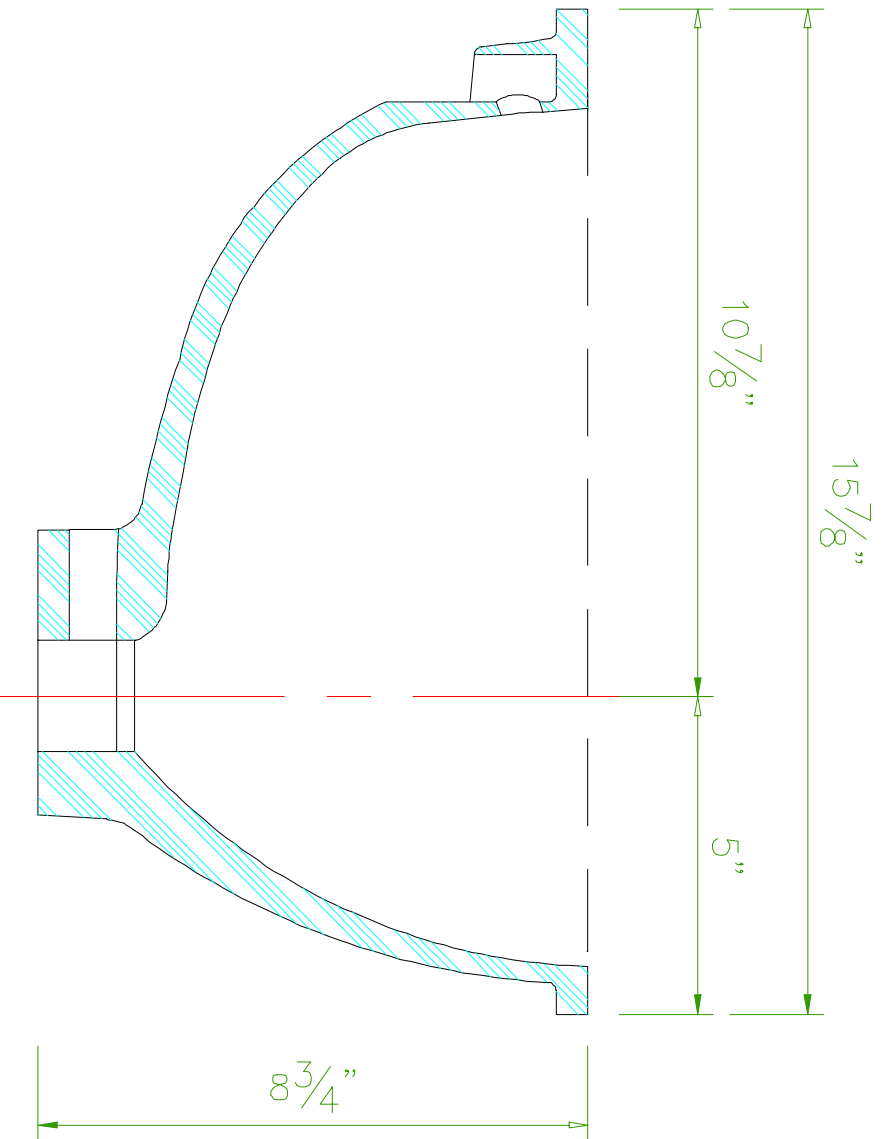
Wilsonart International Inc.  
 2400 Wilson Place  
 P. O. Box 6110  
 Temple, TX 76503-6110

**Sinks**

ACAD FILE: BV125.dwg
DEPT: Solid Surface
DR: RWM
CKD:
APPR:

SHEET TITLE:
BV125 LAVATORY BOWL
ELEVATION

SCALE:
NTS
DATE:
05/01/03
DRAWING NO:
BV125-3



NOTE: OVERALL DIMENSION VARIATION +/-  $\frac{1}{4}$ "

Copyright © 2003, All Rights Reserved



**Wilsonart® Solid Surface**

Wilsonart International Inc.  
 2400 Wilson Place  
 P. O. Box 6110  
 Temple, TX 76503-6110

**Sinks**

ADD FILE: BV125.dwg
DEPT: Solid Surface
DR: RWM
CKD:
APPR:

SHEET TITLE:
BV125 LAVATORY BOWL SECTION

SCALE:
NTS
DATE:
05/01/03
DRAWING NO.:
BV125-4