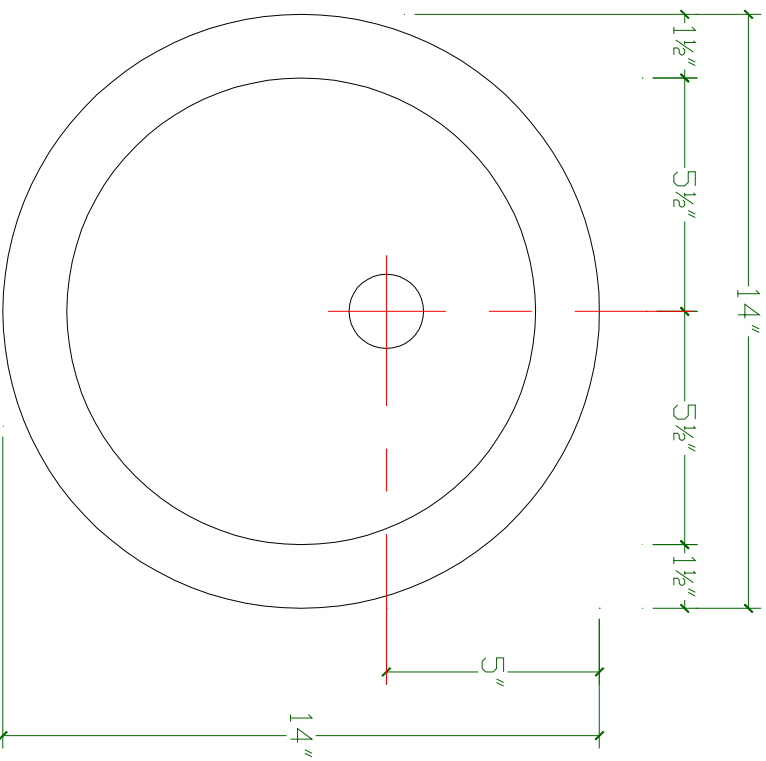


SECTION -- BV 129



PLAN VIEW -- BV 129

NOTE: OVER ALL DIMENSION VARIATION $\pm 1/4$ "

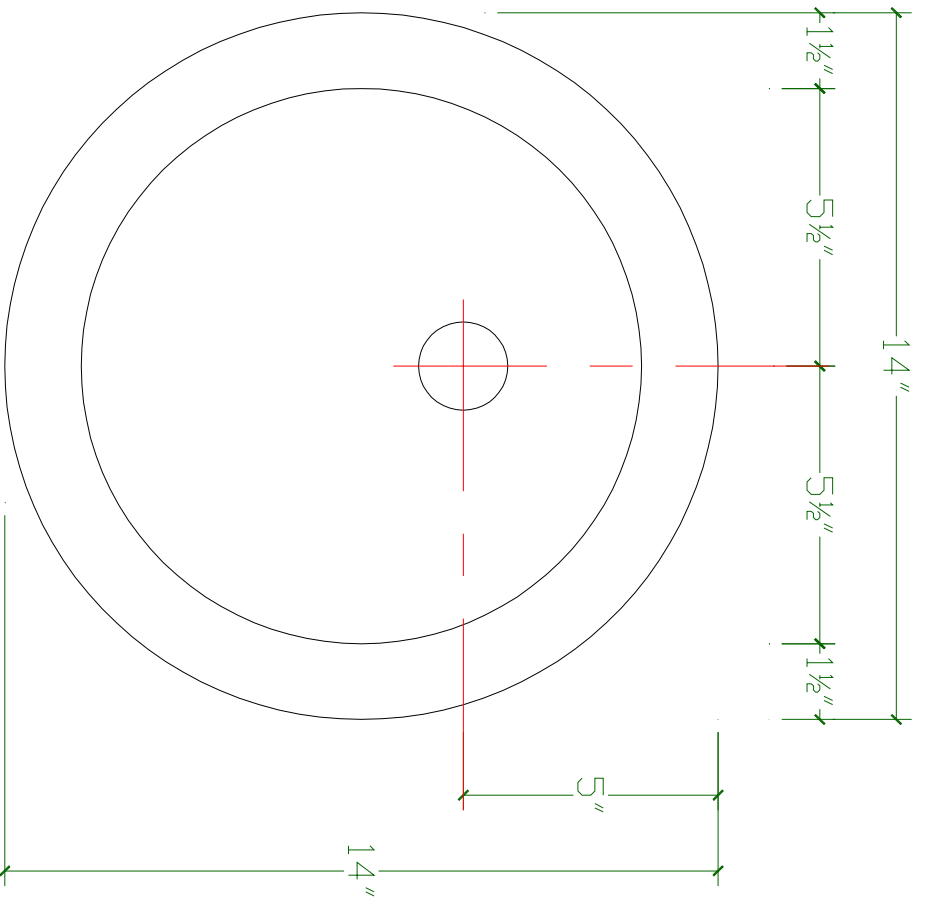
Copyright © 2004, All Rights Reserved



Wilsonart® Solid Surface

Wilsonart International Inc.
 2400 Wilson Place
 P. O. Box 6110
 Temple, TX 76503-6110

ADD FILE: BVCO2.dwg	SHEET TITLE:	SCALE:
DEPT: SOLID SURFACE	BV129	NTS
DR: RMM	VANITY BOWL	DATE: 06/25/04
CKD:		DRAWING NO: BV129-1
APPR:		



PLAN VIEW - BV 129

NOTE: OVER ALL DIMENSION VARIATION $\pm 1/4$ "

Copyright © 2004, All Rights Reserved



Wilsonart® Solid Surface

Wilsonart International Inc.
 2400 Wilson Place
 P. O. Box 6110
 Temple, TX 76503-6110

A&D FILE: BVCCO2.dwg

SHEET TITLE:

SCALE:

DEPT: SOLID SURFACE

BV 129

NTS

DR: RMM

VANITY BOWL

DATE:

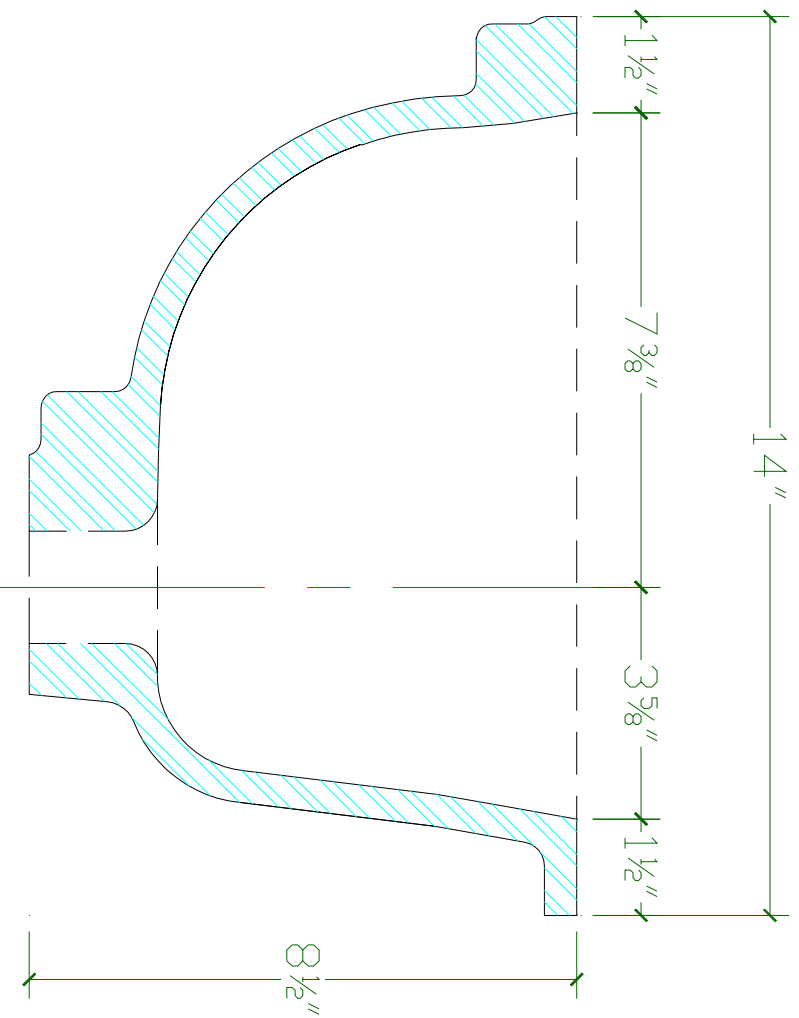
CKD:

PLAN VIEW

06/25/04

APPR:

DRAWING NO:
 BV129-2



SECTION - BV 129

NOTE: OVER ALL DIMENSION VARIATION $\pm \frac{1}{4}$ "

Copyright © 2004, All Rights Reserved



Wilsonart® Solid Surface

Wilsonart International Inc.
 2400 Wilson Place
 P. O. Box 8110
 Temple, TX 76503-8110

AKM FILE: BVCO2.DWG
 DEPT: SOLID SURFACE
 DR: RWM
 CKD:
 APPR:

SHEET TITLE:

BV 129

VANITY BOWL

SECTION VIEW

SCALE:

NTS

DATE:

06/25/04

DRAWING NO:

BV129-3