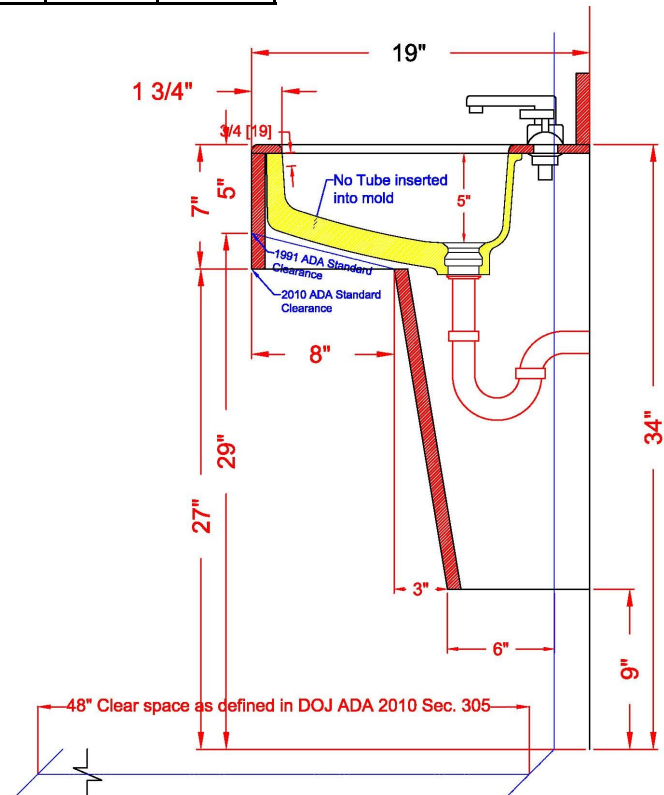
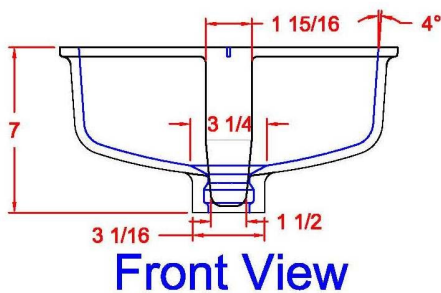
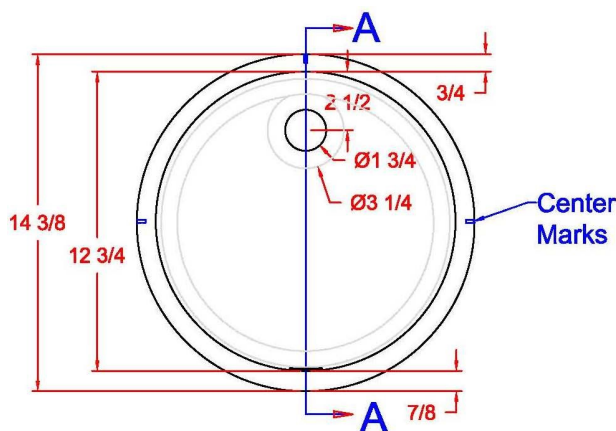


Specification Sheet

- ◆ Contemporary Universal Design-Perfect for all applications
- ◆ Easily concealable in ADA applications
- ◆ Resistant to stains, heat, impact, bacteria, scratches and thermal shock
- ◆ 10 Year Residential and Commercial Warranty
- ◆ Available in Linen White, Cream, and Bright White

Sink Dimensions (inches)

Model Number	Overall Dimensions		Inside Dimensions			Shipping Wt.-Lbs.
	L	W	L	W	D	
BV1313N	14 3/8"	14 3/8"	12 3/4"	12 3/4"	5"	10 lbs
Metric Sizes	365 mm	365 mm	324 mm	324 mm	127 mm	4.5 kg



Wilsonart Solid Surface Cast Sinks are certified by:



UL in the US and Canada
15AT CSA B45.5-11/IAPMO Z124-2011



All dimensions are in inches

Lavatory drains are 1 3/4" diameter and accept all standard drain hardware.

DXF files and recommended router bit profiles are available at www.wilsonart.com

In keeping with our efforts of continuing product improvement, Wilsonart reserves the right to change product specifications without notice.