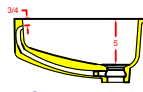
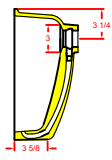
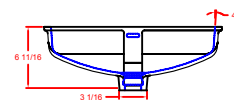
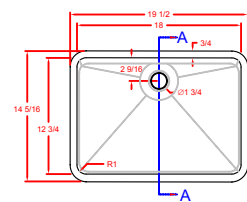


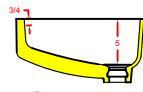
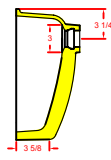
Front View  
BV1812



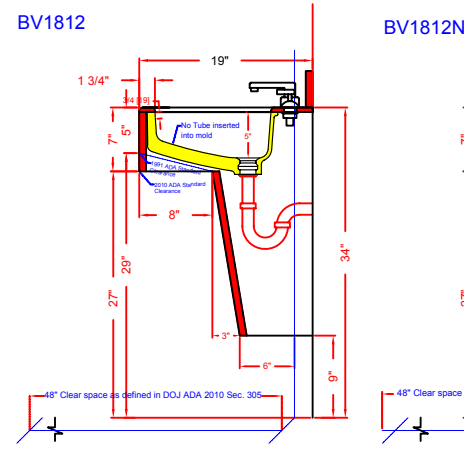
Section A-A



Front View  
BV1812N

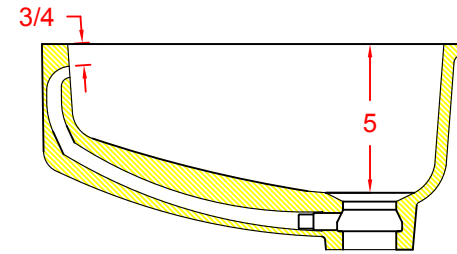
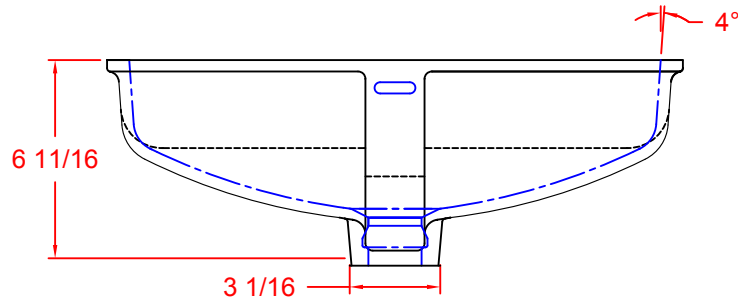
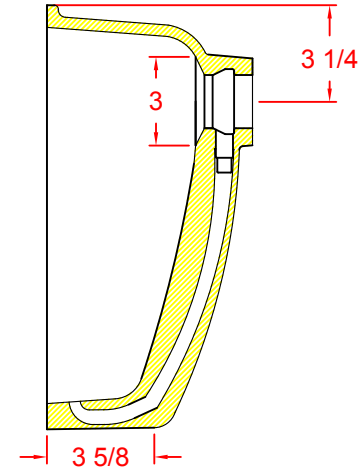
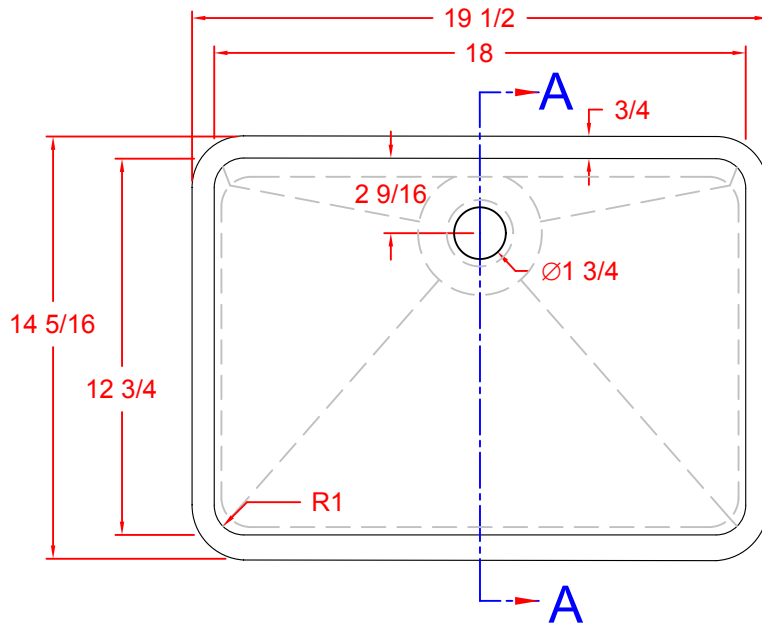


Section A-A



BV1812

BV1812N



Front View

Section A-A

BV1812

This drawing is proprietary to Wilsonart International, Inc. This drawing and the information, data and know-how contained herein shall be treated as confidential and not disclosed to or used for the benefit of others, except as authorized by Wilsonart International, Inc.



Wilsonart, LLC. 2400 Wilson Place P. O. Box 6110 Temple, TX 76503 - 6110  
www.wilsonart.com 800.433.3222

ACAD FILE: Technical-information-technical-drawings-bv-1812.dwg

DEPT: DEPT

DR: DRAFTSMAN

CKD:

APPR:

SHEET TITLE:

LINE1

LINE2

LINE3

SCALE:  
SCALE

DATE:  
2/20/15

DRAWING NO:

DWG