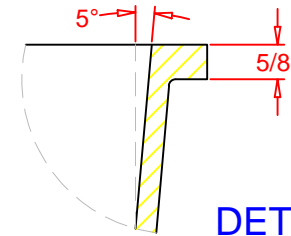
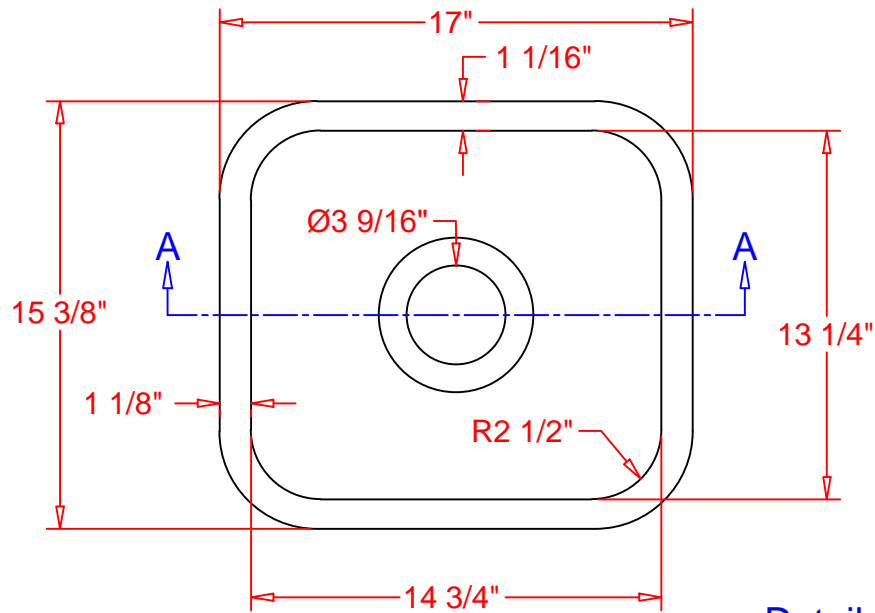
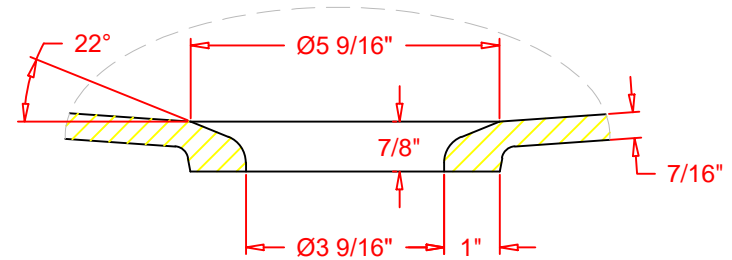
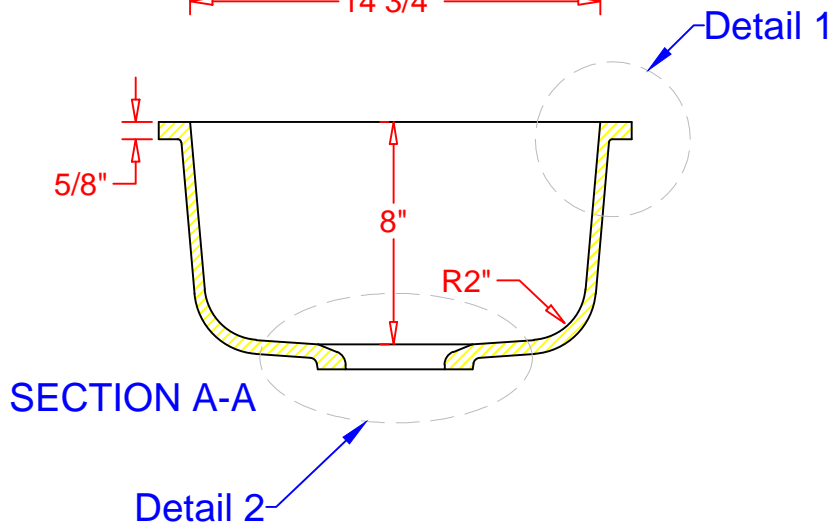


Rev #	A	08/30/19	Dimensions updated.
Rev #			



DETAIL 1



DETAIL 2



Part Number:	AK1413	Model Ref:	Square Bar
Description:	Square Bar Sink		
Date Drawn:	11 / 20 / 2018	Weight:	15.4 Lbs
		Scale:	None
Drawn By:	Carlos Hernandez	Revised By:	
Approved By:	Daniel Shin	Date:	01 / 09 / 2019

Customer Approval: _____ Date: _____
 Path: @Engineering\