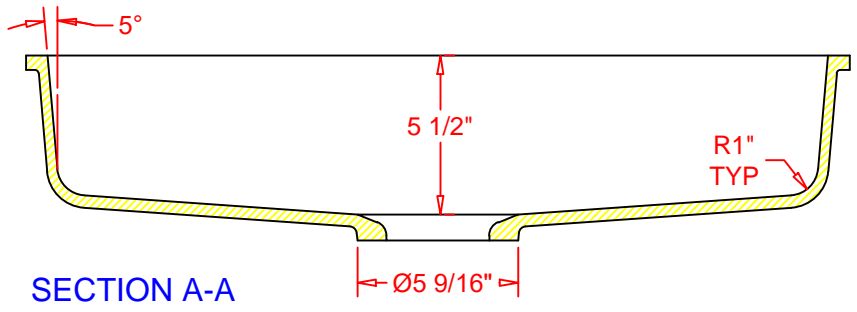
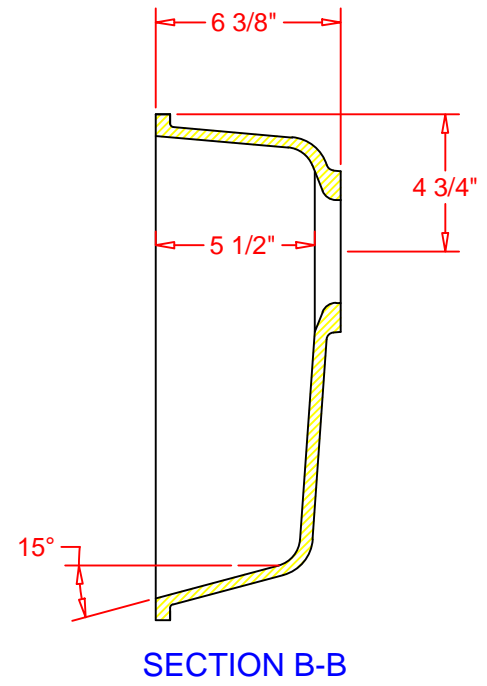
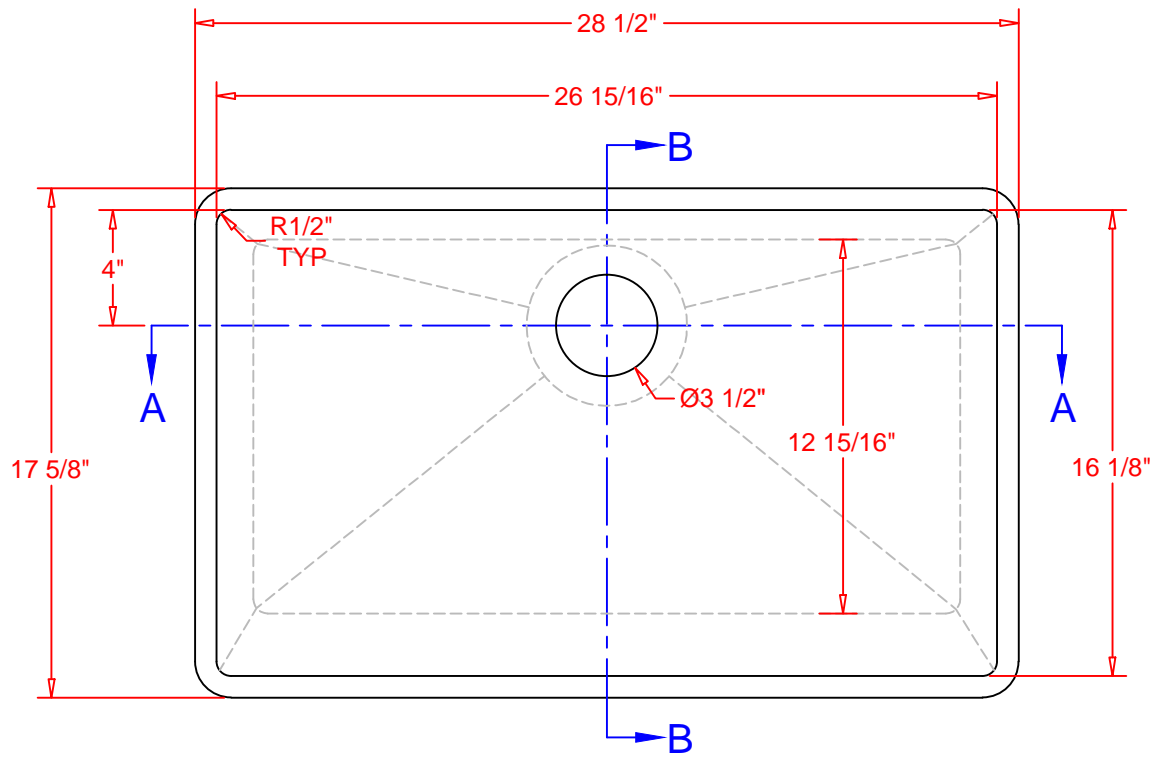


Rev #		
Rev #		



Part Number:	AK2716		
Description:	Large ADA Utility Sink		
Date Drawn:	10 / 02 / 2018	Weight:	20.0 Lbs
		Scale:	None
Drawn By:	Carlos Hernandez	Revised By:	
Approved By:	Daniel Shin	Date Revised:	01 / 09 / 2019

Customer Approval: _____ Date: _____
 Path: @Engineering\