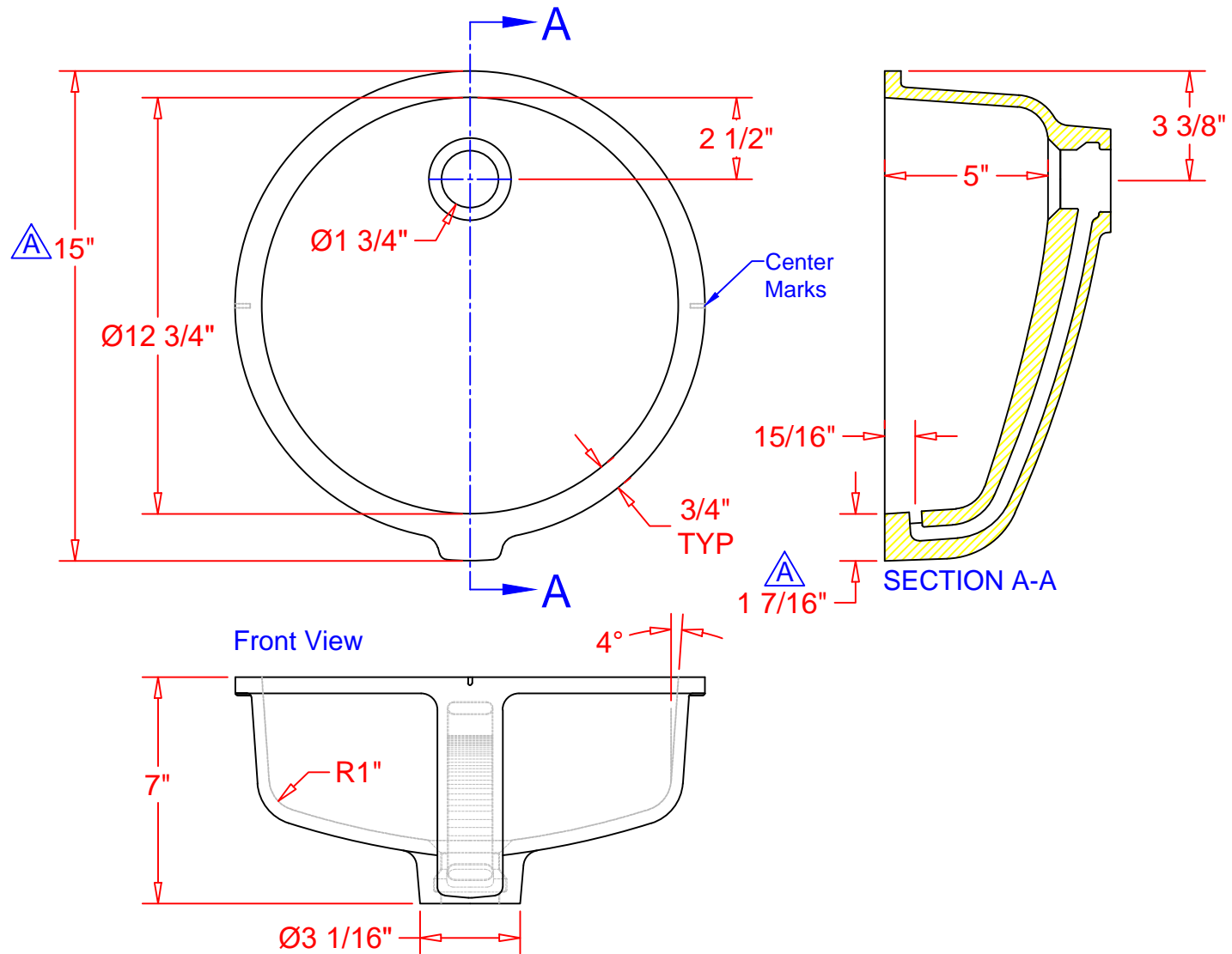


Rev #	A	05/04/20	Overflow enclosure protruded 0.687" to cover plastic hose properly.
Rev #			



Part Number:	AV1313		
Description:	Circle ADA Vanity Bowl		
Date Drawn:	10 / 03 / 2018	Weight:	9.3 Lbs
		Scale:	None
Drawn By:	Carlos Hernandez	Revised By:	
Approved By:	Daniel Shin	Date Revised:	01 / 09 / 2019

Customer Approval: _____ Date: _____
 Path: @Engineering\