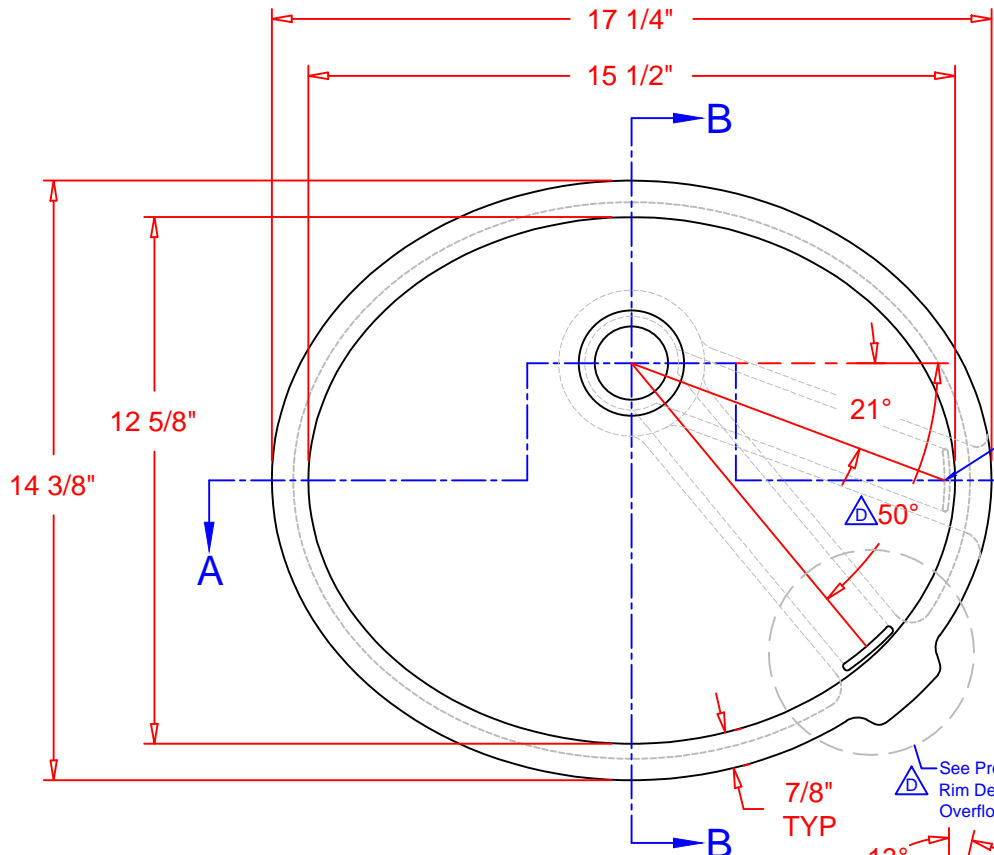
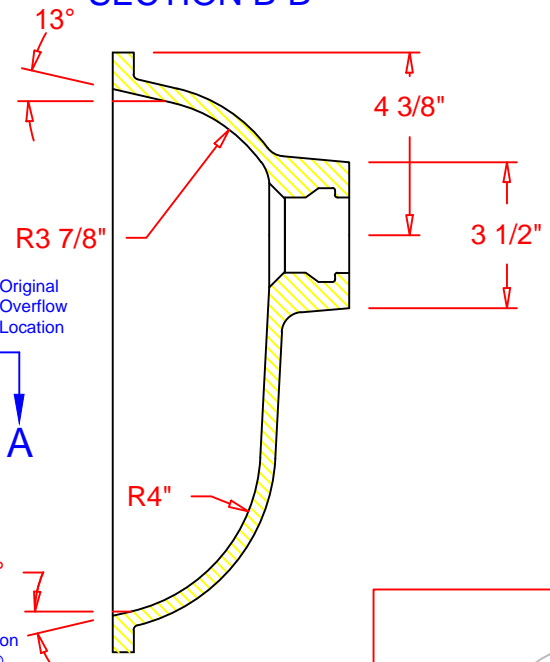


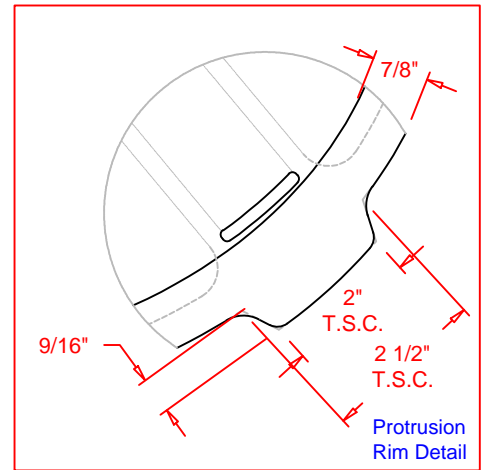
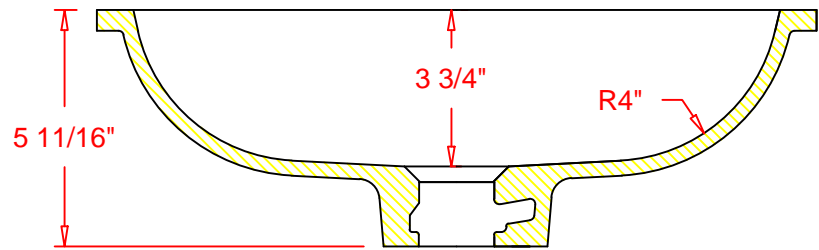
Rev #	D	04/21/20	Overflow Location Updated at 50° from imaginary horizontal axis line
Rev #			of Drain. Protrusion of Mounting Rim at Overflow added.



SECTION B-B



SECTION A-A



Part Number:	AV1512	Model Ref:	Oval Vanity Small
Description:	Oval ADA Vanity Bowl		
Date Drawn:	10 / 04 / 2018	Weight:	8.5 Lbs
		Scale:	None
Drawn By:	Carlos Hernandez	Revised By:	
Approved By:	Daniel Shin	Date:	01 / 09 / 2019

Customer Approval: _____ Date: _____
 Path: @Engineering\