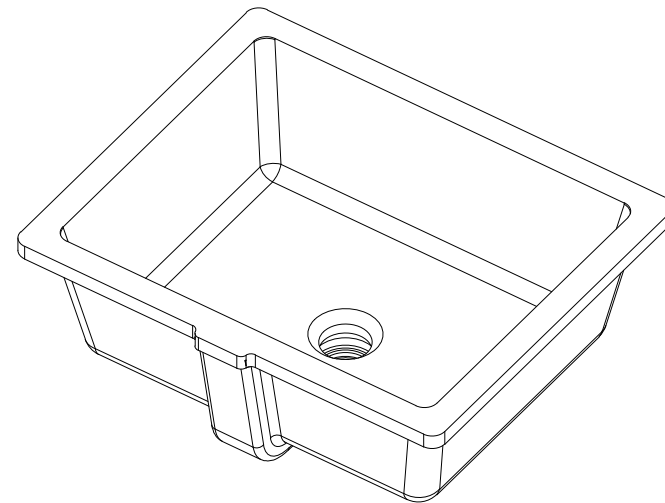
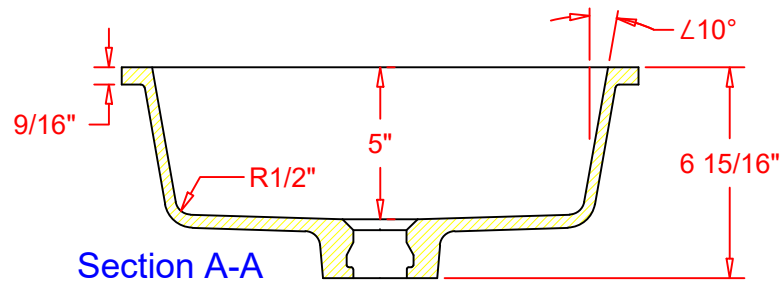
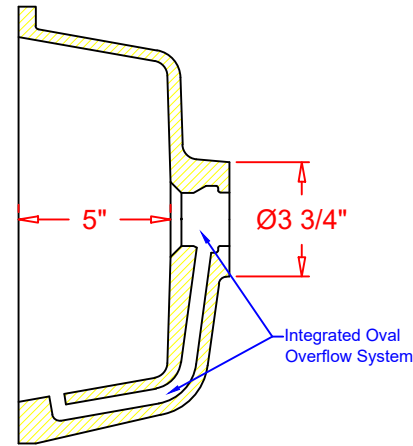


Section B-B



|                    |                                   |              |          |
|--------------------|-----------------------------------|--------------|----------|
| Part Number:       | AV1512R                           |              |          |
| Project:           | Undermount Rectangular Bowls 2024 |              |          |
| Description:       | 15" x 12" Rectangular Bowl        |              |          |
| Drawn By:          | Alfredo Scheel                    | Approved By: |          |
| Weight:            | NA                                | Scale:       | None     |
| Customer Approval: |                                   | Date:        |          |
|                    |                                   | Page:        | 01 of 01 |