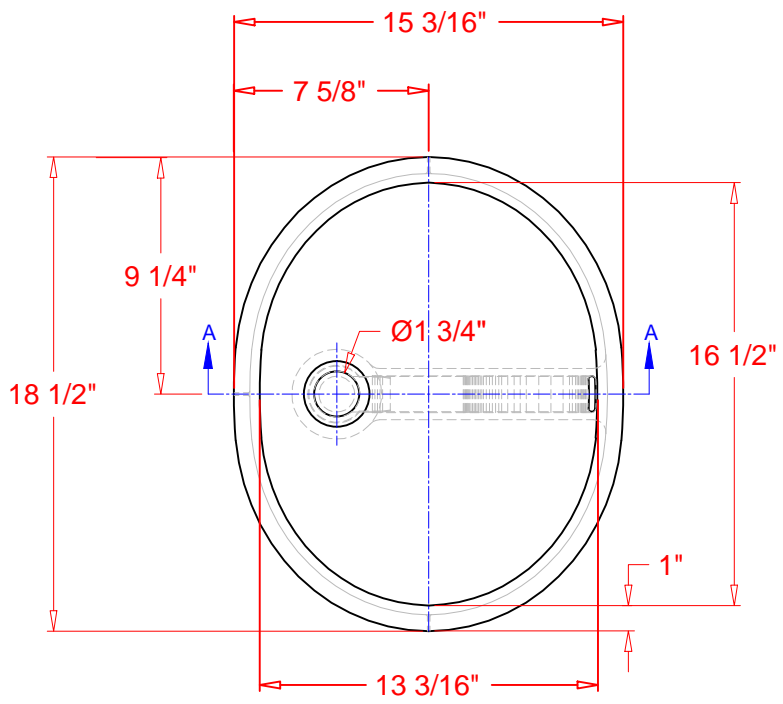
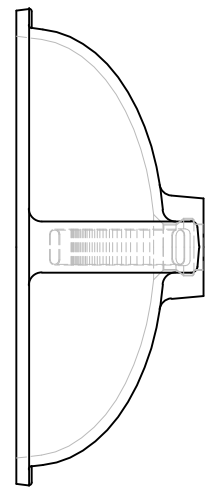


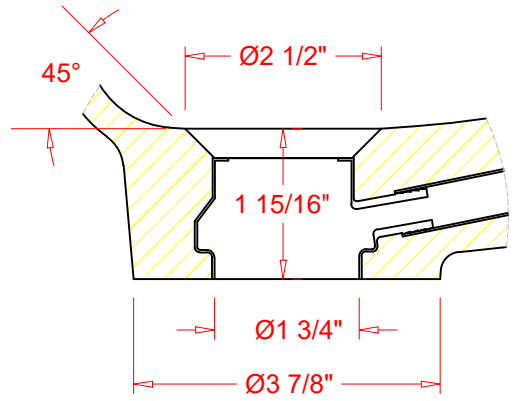
Rev #			
Rev #			



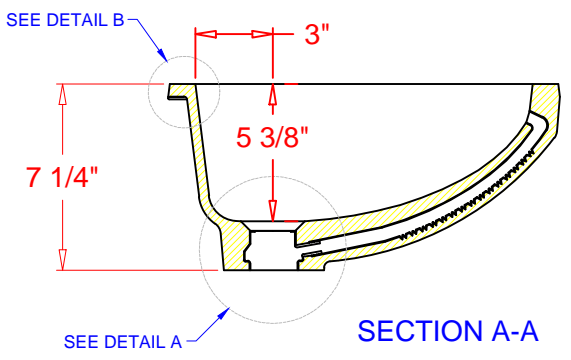
PLAN



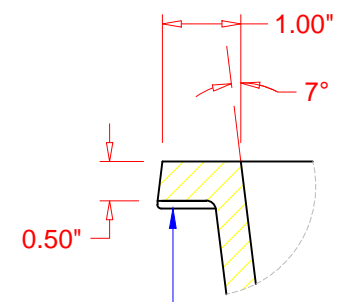
ELEVATION



DETAIL A



SECTION A-A



CARPENTER MARKS  
0.100" X 0.100"

DETAIL B



Part Number:	AV1613		
Description:	Oval Vanity Bowl		
Date Drawn:	02 / 13 / 2019	Weight:	13.0 Lbs
		Scale:	None
Drawn By:	Carlos Hernandez	Revised By:	
Approved By:	Daniel Shin	Date:	01 / 09 / 2019

Customer Approval:	Date:
Path: @Engineering\	