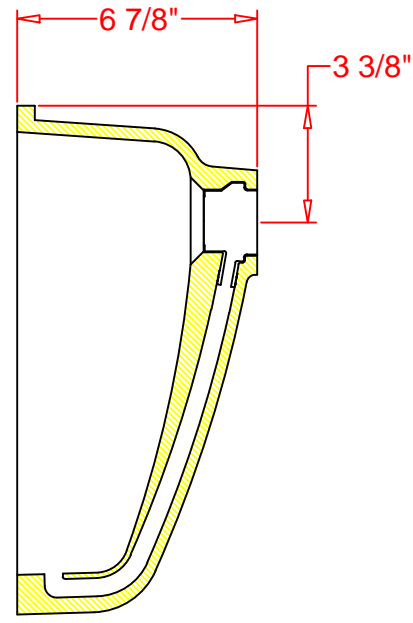
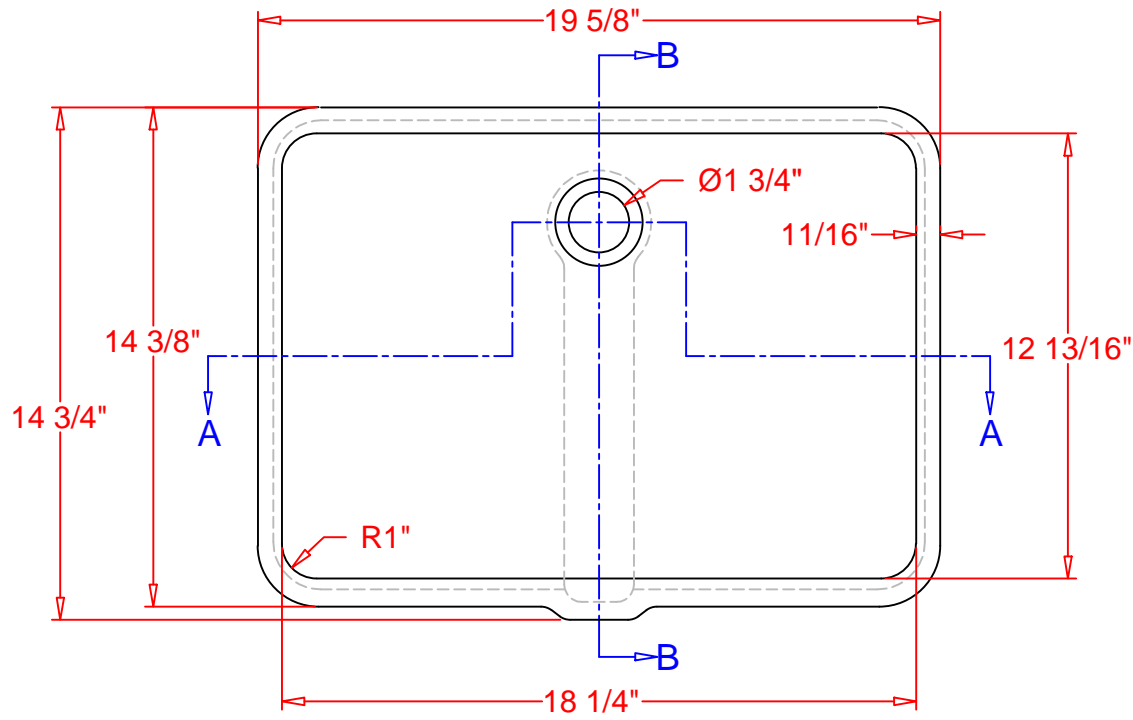
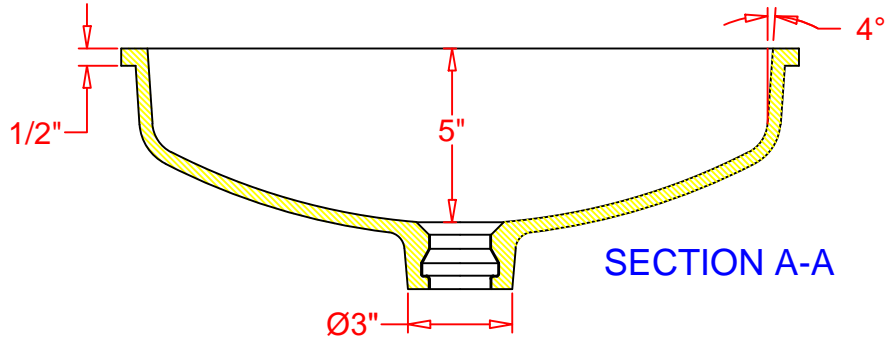


Rev #	A	05/13/20	Dimensions updated.
Rev #			



SECTION B-B



SECTION A-A



Part Number:	AV1812		
Description:	Rectangle ADA Ramp Vanity		
Date Drawn:	02 / 13 / 2019	Weight:	12.6 Lbs
		Scale:	None
Drawn By:	Carlos Hernandez	Revised By:	
Approved By:	Daniel Shin	Date:	01 / 09 / 2019

Customer Approval: \_\_\_\_\_ Date: \_\_\_\_\_  
 Path: @Engineering\